



**安装形式 Install the form**  
DK型 DK type

<p>B3</p>	<p>B3I</p>	<p>B6</p>
<p>B6I</p>	<p>B6II</p>	<p>B8</p>
<p>B8I</p>	<p>V5</p>	<p>V5I</p>
<p>V6</p>	<p>V6I</p>	

DK

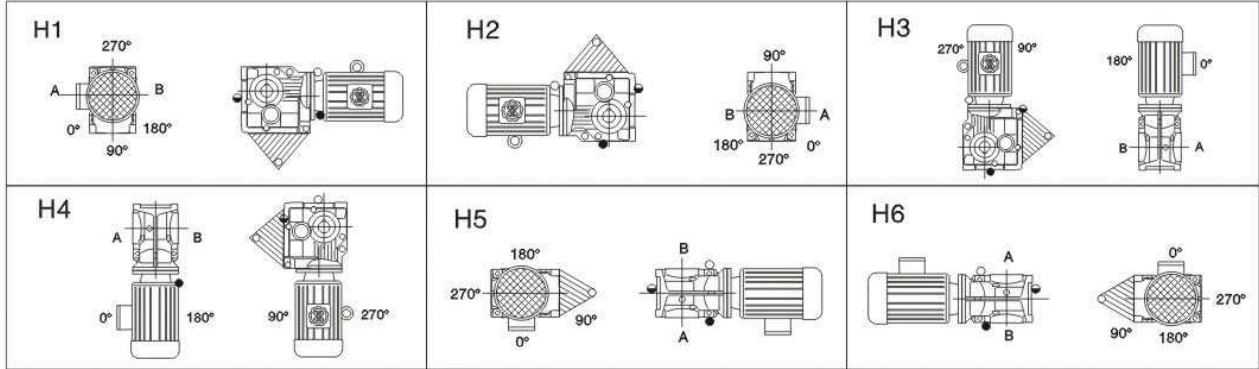
注：●—表示放油孔 ○—表示油镜 ○—表示加油通气孔  
Notes: ●— It denotes exhaust outlet ○— It denotes oil mirror ○— It denotes filler air vent

**安装形式 Install the form**  
DKA/DKAT37-107型 DKA/DKAT37-107 type

<p>H1</p>	<p>H2</p>
<p>H3</p>	<p>H4</p>
<p>H5</p>	<p>H6</p>



**DKA/DKAT127-157型 DKA/DKAT127-157 type**



注：1. DKAT型防转臂安装位置请参见第26页，订货时请注明其方向C或D。  
注：●—表示放油孔 ○—表示油镜 ○—表示加油通气孔

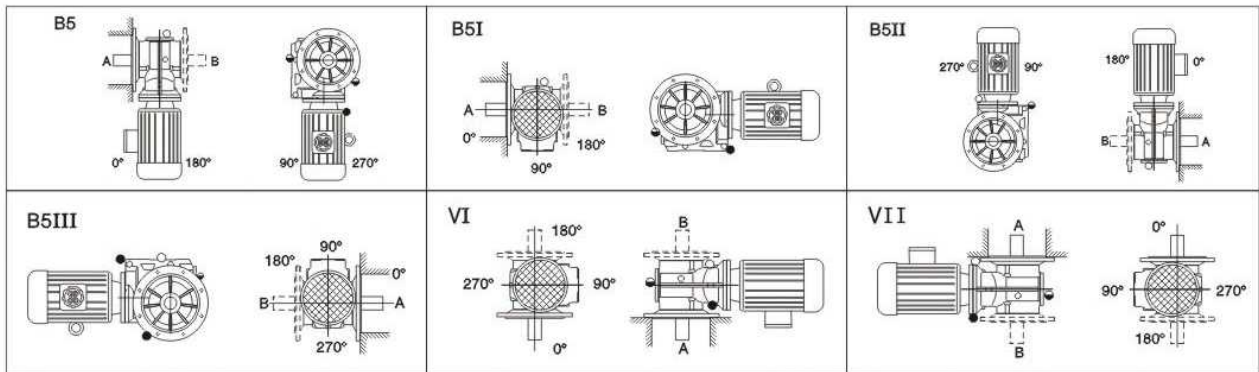
Notes: 1. The installation position of DKAF type anti-reverse arm sees to page 46. Please give clear indication of direction C or D while ordering goods.

Notes: ●— It denotes exhaust outlet ○— It denotes oil mirror ○— It denotes filler air vent

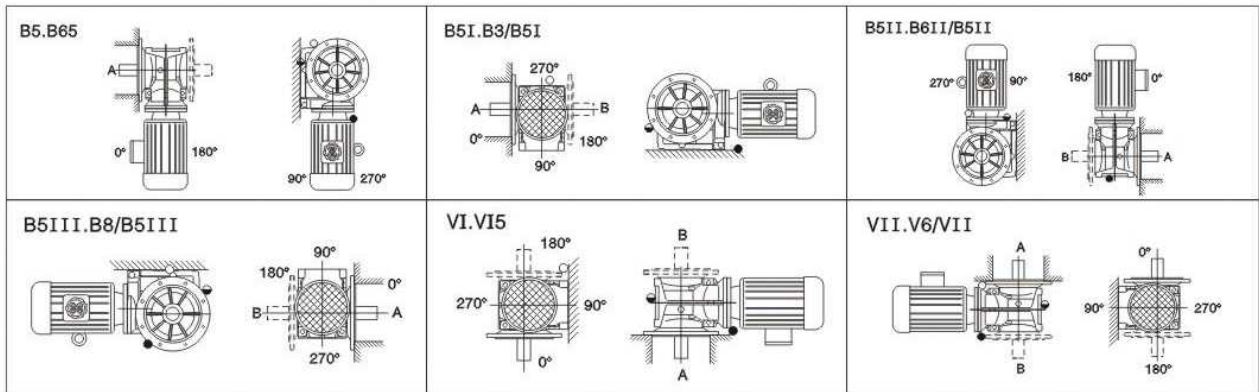
DK

**安装形式 Install the form**

**DKF/37-DKF107型 DKF/37-DKF107type**



**DKF/127-DKF157型 DKF/127-DKF157type**



注：●—表示放油孔 ○—表示油镜 ○—表示加油通气孔

Notes: ●— It denotes exhaust outlet ○— It denotes oil mirror ○— It denotes filler air vent



**DK系列传动功能表 DK SERIES TRANSMISSION CAPACITY TABLE**

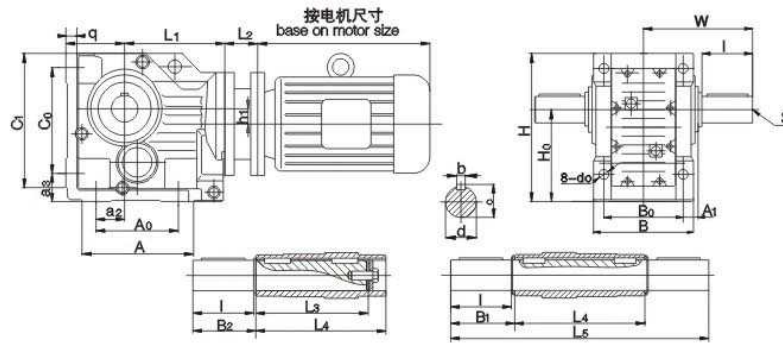
n 1 (r/min)	n 2 (r/min)	IN	DK37			DK47			DK57			DK67			DK77			DK87			DK97			
			最大允许直联电机2.2kw Maximum power of directly connected motor 2.2kw			最大允许直联电机3kw Maximum power of directly connected motor 3kw			最大允许直联电机5.5kw Maximum power of directly connected motor 5.5kw			最大允许直联电机5.5kw Maximum power of directly connected motor 5.5kw			最大允许直联电机11kw Maximum power of directly connected motor 11kw			最大允许直联电机22kw Maximum power of directly connected motor 22kw			最大允许直联电机30kw Maximum power of directly connected motor 30kw			
			MN2 (N.m)	ieX	PN1 (Kw)	MN2 (N.m)	ieX	PN1 (Kw)	MN2 (N.m)	ieX	PN1 (Kw)	MN2 (N.m)	ieX	PN1 (Kw)	MN2 (N.m)	ieX	PN1 (Kw)	MN2 (N.m)	ieX	PN1 (Kw)	MN2 (N.m)	ieX	PN1 (Kw)	
1450	179	8.1	113	8.06	2.12	200	8.24	3.68	299	8.71	5.5	360	8.14	6.70	740	8.22	13.6	1165	8.01	22.0	2215	8.20	*32.6	
	148	9.8	122	9.93	1.87	220	9.82	3.39	329	9.59	5.5	390	9.73	6.07	780	9.83	12.0	1250	9.89	19.1	2385	9.79	*32.6	
	132	11.0	122	11.08	1.67	230	11.28	3.09	386	11.26	5.5	410	11.04	5.63	820	11.15	11.1	1250	11.04	17.1	2480	10.93	*32.6	
	116	12.5	129	12.45	1.57	230	12.42	2.81	409	11.92	5.5	440	12.28	5.43	830	12.40	*9.60	1280	12.72	15.3	2580	12.60	31.0	
	101	14.3	122	14.24	1.30	300	14.37	3.16	522	15.22	5.5	580	14.42	6.09	1160	14.37	12.2	1750	14.11	18.8	3480	14.58	*32.6	
	85	17.1	139	17.56	1.20	310	17.13	2.74	602	17.57	5.5	610	17.23	5.36	1300	17.17	11.5	1830	17.42	15.9	3580	17.41	31.1	
	76	19.0	148	19.59	1.15	310	19.67	2.39	482	19.34	4	630	19.55	4.88	1300	19.48	10.1	1915	19.45	14.9	3580	19.45	27.9	
	66	22.0	151	21.97	1.04	330	21.65	2.31	566	22.71	4	640	21.74	4.46	1300	21.67	9.09	1915	22.41	12.9	3580	22.40	24.2	
	58	25.0	155	24.78	0.95	330	25.20	1.98	600	24.05	4	680	24.30	4.24	1300	24.21	8.14	2080	24.92	12.6	3580	24.92	21.8	
	52	27.9	160	28.15	0.86	330	28.05	1.78	519	27.34	3	680	27.33	3.77	1300	27.23	7.23	2165	27.88	11.8	3580	27.87	19.4	
	47	30.9	160	30.11	0.81	330	31.43	1.59	574	30.28	3	680	30.96	*2.64	1300	30.85	*4.80	2250	31.39	10.8	3580	31.38	17.3	
	41	35.7	160	36.16	0.67	330	36.07	1.39	497	35.7	2.2	660	36.46	2.74	1300	36.46	5.40	2250	35.66	8.84	3580	36.87	14.7	
	34	43.2	160	42.25	0.57	330	43.01	1.16	618	44.3	2.2	680	43.56	2.37	1300	43.56	4.52	2080	44.02	7.45	3580	44.02	12.3	
	29.0	50.0	160	49.74	0.49	330	49.38	1.01	470	48.89	1.5	680	49.43	2.08	1300	49.43	3.98	2165	49.16	6.93	3580	49.16	11.0	
	26.1	55.5	160	55.77	0.43	330	54.36	0.92	552	57.42	1.5	680	54.97	1.87	1300	54.97	3.58	2250	56.64	6.02	3580	56.64	9.58	
	23.2	62.4	160	62.91	0.39	330	63.27	0.79	585	60.81	1.5	680	61.45	1.68	1300	61.45	3.21	2250	63.00	5.41	3580	63.00	8.61	
	20.7	70.1	160	71.47	0.34	330	70.44	0.71	488	69.12	1.1	680	69.09	1.49	1300	69.09	2.85	2250	70.64	4.48	3580	70.46	7.70	
	18.7	77.7	160	76.42	0.32	330	78.92	0.63	540	76.56	1.1	680	78.27	1.32	1300	78.27	2.52	2250	79.34	4.30	3580	79.34	6.84	
	16.9	85.9	151	88.08	0.26	330	83.77	0.60	637	90.26	1.1	680	85.82	1.20	1300	85.82	2.30	2250	86.34	3.95	3580	86.33	6.28	
	14.2	102	129	102.9	0.19	330	101.5	0.49	498	102.88	0.75	680	102.1	1.01	1300	102.1	1.93	2250	102.7	3.32	3580	102.7	5.28	
	12.4	117				330	117.1	0.43	385	108.29	0.55	680	116.0	*0.66	1300	118.8	*1.32	2250	115.8	2.94	3580	115.8	4.68	
	11.5	126				330	126.4	0.40	296	123.85	0.37	680	124.1	*0.66	1300	125.9	*1.32	2250	126.9	2.69	3580	126.9	4.27	
	10.1	143							234	145.14	0.25	680	143.7	*0.48	1300	142.4	*1.32	2250	139.9	2.44	3580	147.3	3.68	
	9.1	159							169	145.14	0.18							2250	164.3	*1.32				
8.4	172																							
7.6	191																							
960	13.7	70.1	160	71.47	0.22																			
	12.4	77.7	160	76.42	0.21																			
	11.2	85.9	151	88.08	0.17	330	83.77	0.39																
	9.4	102	129	102.9	0.12	330	101.5	0.32				680	102.1	0.66										
	8.2	117				330	117.1	0.28				680	116.0	*0.43	1300	118.8	*0.87							
	7.6	126				330	126.4	0.26				680	124.1	*0.43	1300	125.9	*0.87	2250	126.9	1.77	3580	126.9	2.84	
	6.7	143										680	143.7	*0.31	1300	142.4	*0.87	2250	139.9	1.61	3580	147.3	2.43	
	6.0	159																2250	164.3	*0.96				
	5.6	172																						
	5.0	191																						
710	5.6	126										680	124.1	0.32	1300	125.9	*0.64							
	5.0	143													1300	142.4	*0.64	2250	139.9	1.19	3580	147.3	1.80	
	4.5	159																2250	164.3	*0.71				
	4.1	172																						
3.7	191																							

DK

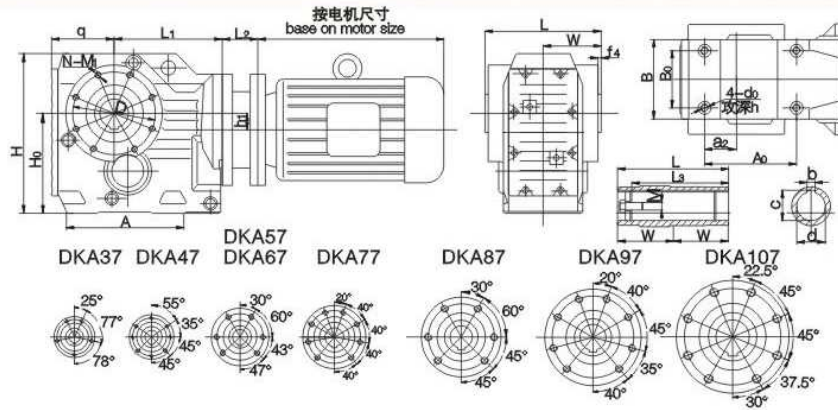


**DK系列传动功能表 DK SERIES TRANSMISSION CAPACITY TABLE**

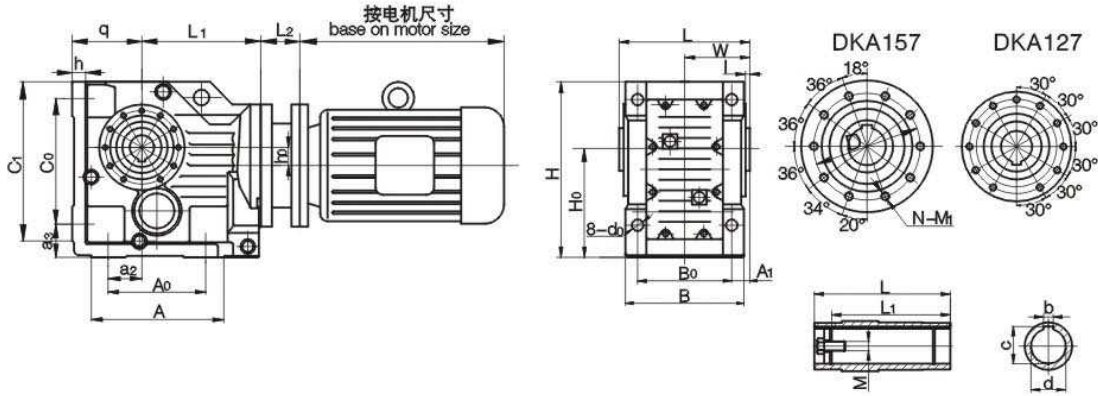
n 1 (r/min)	n 2 (r/min)	iN	DK107 最大允许直联电机45kw Maximum power of directly connected motor 45kw			DK127 最大允许直联电机90kw Maximum power of directly connected motor 90kw			DK157 最大允许直联电机132kw Maximum power of directly connected motor 132kw			DK167 最大允许直联电机200kw Maximum power of directly connected motor 200kw			DK187 最大允许直联电机200kw Maximum power of directly connected motor 200kw		
			MN2 (N.m)	ieX	PN1 (Kw)	MN2 (N.m)	ieX	PN1 (Kw)	MN2 (N.m)	ieX	PN1 (Kw)	MN2 (N.m)	ieX	PN1 (Kw)	MN2 (N.m)	ieX	PN1 (Kw)
1450	179	8.1	3385	7.99	*48.5	6000	8.18	*97.0									
	148	9.8	3490	9.87	*48.5	6025	9.77	93.4									
	132	11.0	3580	11.02	49.2	6670	11.09	91.1									
	116	12.5	3580	12.70	42.7	7100	12.73	*79.5									
	101	14.3	5740	14.02	*48.5	10000	14.42	*97.0									
	85	17.1	5880	17.31	*48.5	10800	17.23	94.9									
	76	19.0	6000	19.33	47.0	10800	19.51	*79.5	14000	18.37	116	26600	18.52	218	31500	18.71	*221
	66	22.0	6000	22.27	40.8	10800	22.43	*66.0	15000	22.15	103	26600	22.27	181	33000	22.38	223
	58	25.0	6000	24.77	36.7	10800	24.85	*66.0	15000	24.74	92.0	26600	25.76	157	34500	25.77	203
	52	27.9	6000	27.70	32.8	10800	27.67	*48.5	15000	28.50	79.9	26600	28.52	141	36500	28.43	195
	47	30.9	8000	31.19	29.1	10800	31.00	*48.5	15000	31.70	71.8	26600	31.72	127	39600	30.94	194
	41	35.7	6000	35.45	25.6	10800	36.46	44.9	15000	36.49	62.3	26600	35.33	114	42000	34.62	184
	34	43.2	6130	43.75	21.2	10800	43.56	37.6	15000	44.02	51.6	26600	44.22	91.1	42000	44.23	144
	29.0	50.0	6520	48.87	20.2	10800	49.32	33.2	15000	49.04	46.3	26600	51.16	78.8	42000	51.18	124
	26.1	55.5	6660	56.30	17.9	10800	56.72	28.8	15000	56.57	40.2	26600	56.64	71.1	42000	56.47	113
	23.2	62.4	6660	62.62	16.1	10800	62.83	26.0	15000	62.95	36.1	26600	63.00	64.0	42000	61.46	103
	20.7	70.1	6660	70.04	14.4	10800	69.95	23.4	15000	70.48	32.2	26600	70.17	57.4	42000	68.75	92.5
	18.7	77.7	6660	78.87	12.8	10800	78.38	20.9	15000	79.37	28.6	26600	77.61	51.9	42000	76.08	83.6
	16.9	85.9	6660	85.82	11.7	10800	85.82	19.1	15000	86.22	26.3	26600	86.34	46.7	42000	84.69	75.1
	14.2	102	6660	102.1	9.88	10800	102.1	16.0	15000	102.6	22.1	26600	102.7	39.2	42000	100.8	63.1
12.4	117	6660	115.1	8.77	10800	115.1	14.2	15000	115.6	19.6	26600	115.8	34.8	42000	115.4	55.1	
11.5	126	6660	126.1	8.00	10800	126.1	13.0	15000	126.8	17.9	26600	126.9	31.7	42000	126.5	50.3	
10.1	143	6660	146.4	6.89	10800	146.4	*9.60	15000	139.8	16.2	26600	139.9	28.8	42000	139.5	45.6	
9.1	159													42000	153.9	41.4	
8.4	172																
7.6	191																
13.7	70.1																
12.4	77.7																
11.2	85.9																
9.4	102																
8.2	117																
960	7.6	126	6660	126.1	5.28	10800	126.1	8.58	15000	126.8	11.8	26600	126.9	20.9	42000	126.5	32.00
	6.7	143	6660	146.4	4.55	10800	146.4	*6.30	15000	139.8	10.7	26600	139.9	19.0	42000	139.5	30.1
	6.0	159							15000	157.8	9.50	26600	154.4	17.2	42000	153.9	27.3
	5.6	172							15000	172.9	8.64	26600	169.2	15.7	42000	168.7	24.9
	5.0	191							15000	196.8	7.59	26600	186.6	14.2	42000	186.0	22.6
	5.6	126										26600					
710	5.0	143	6660	146.4	3.36	10800	146.4	*4.65	15000	139.8	7.91	26600	139.9	14.0	42000	139.5	22.2
	4.5	159													42000	153.9	20.2
	4.1	172															
	3.7	191															



型号 Type	安装尺寸 Installion Size							轴伸尺寸 Stalk Size							外型尺寸 Features Size											DK	
	H <sub>0</sub>	B <sub>0</sub>	A <sub>0</sub>	C <sub>0</sub>	a <sub>2</sub>	a <sub>3</sub>	q	A <sub>1</sub>	d <sub>0</sub>	d(k6)	l	S	b	c	B	H	L <sub>1</sub>	L <sub>2</sub>	L <sub>3</sub>	L <sub>4</sub>	L <sub>5</sub>	h	W	h <sub>1</sub>	A		C <sub>1</sub>
DK37	100	100	110	115	28	32	63	10	11	25	50	M8	8	28	120	164	139	103	120	238	16	115	8.5	143	150	59	55
DK47	112	120	130	130	35	37	71	15	11	35	60	M10	10	38	145	186	169	128	150	283	18	140	7.2	170	172	66.5	65
DK57	132	130	130	150	30	45	80	18	13.5	35	70	M12	10	38	157	217	173	142	166	306	21	153	13.1	172	190	77	75
DK67	140	140	120	160	30	45	90	20	13.5	40	80	M12	12	43	170	228	179	146	180	353	24	175	20	170	203	86.5	85
DK77	180	165	150	200	40	55	112	22.5	17.5	50	100	M16	14	53.5	200	288	202	176	210	424	27	210	31.3	205	260	107	105
DK87	212	180	180	233	55	70	132	30	22	60	120	M20	18	64	230	340	257	200	240	494	32	245	25.9	260	305	127	125
DK97	265	240	240	295	75	83	160	30	26	70	140	M20	20	74.5	290	417	276	260	300	595	36	295	32.3	320	372	147.5	145
DK107	315	270	280	360	95	95	200	40	33	90	170	M24	25	95	340	503	341	306	350	705	40	350	52	380	448	177.5	175
DK127	375	330	350	420	115	110	225	40	39	100	210	M24	28	106	400	592	390	357	410	845	45	420	53	450	537	217.5	215
DK157	450	420	380	500	140	130	280	40	39	120	210	M24	32	127	500	705	426	450	500	946	50	460	71.7	495	634	223	220

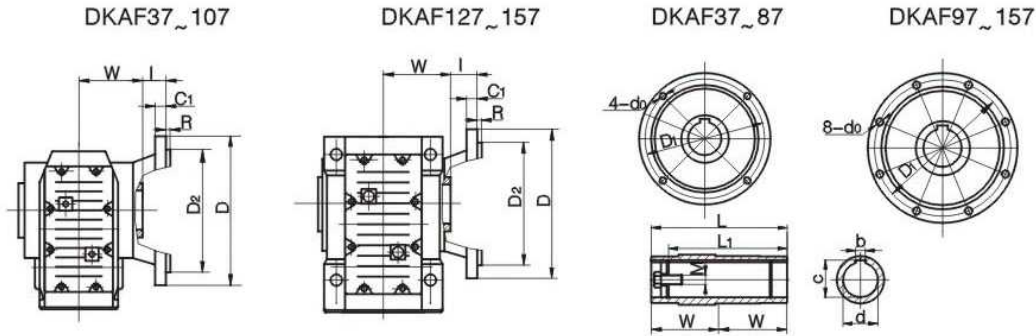


型号 Type	安装尺寸 Installion Size							轴伸尺寸 Stalk Size							外型尺寸 Features Size								
	H <sub>0</sub>	B <sub>0</sub>	a <sub>2</sub>	A <sub>0</sub>	d <sub>0</sub>	h	D	M <sub>1</sub>	N	d(H7)	b	c	L <sub>s</sub>	L	M	B	q	L <sub>1</sub>	H	W	f <sub>4</sub>	h <sub>1</sub>	A
DKA37	100	60	35	117	M8	14	94	M8	5	30	8	33.3	103	120	M10	80	66	139	164	60	2	8.5	143
DKA47	112	70	40	140	M10	18	102	M8	8	35	10	38.3	128	150	M12	108	72	169	186	75	2	7.2	170
DKA57	132	88	42	152	M12	24	125	M12	6	40	12	43.3	142	166	M16	122	96	173	215	83	2	13.1	202
DKA67	140	88	42	152	M12	24	125	M12	6	40	12	43.3	146	180	M16	118	92	179	228	90	2	20	202
DKA77	180	102	48	170	M16	28	142	M12	8	50	14	53.8	176	210	M16	140	112	202	288	105	2	31.3	220
DKA87	212	118	65	225	M16	30	178	M16	6	60	18	64.4	200	240	M20	170	127	257	340	120	2	25.9	285
DKA97	265	160	83	248	M20	30	220	M16	8	70	20	74.9	260	300	M24	210	156	276	417	150	2	32.3	316
DKA107	315	190	100	290	M24	42	260	M20	8	90	25	95.4	306	350	M24	250	197	341	503	175	2	52	380

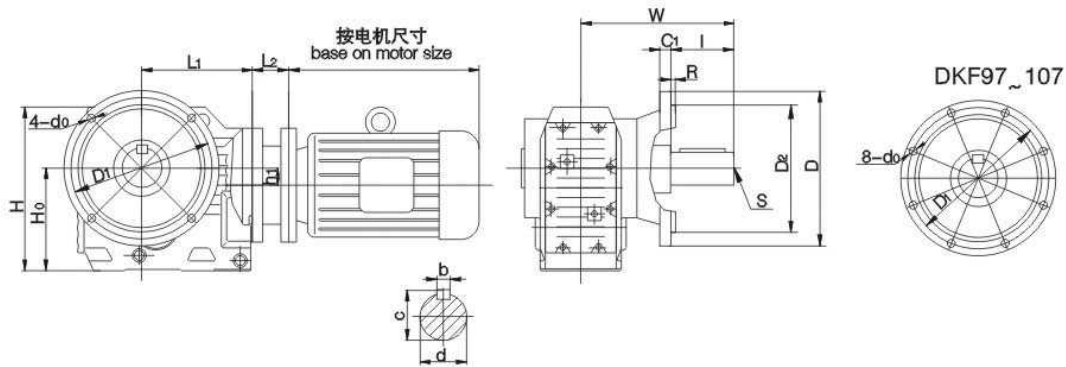


DK

型号 Type	安装尺寸 Installion Size							轴伸尺寸 Stalk Size							外型尺寸 Features Size												
	H0	B0	A0	C0	a2	a3	q	D	M	N	A1	d0	d(H7)	b	c	L3	L	M	B	L1	H	W	l	h1	A	C1	h
DKA127	375	330	350	420	115	110	225	300	M20	11	40	39	100	28	106.4	357	410	M24	400	390	592	205	4	53	450	537	45
DKA157	450	420	380	500	140	130	280	340	M24	10	40	39	120	32	127.4	450	500	M24	500	426	705	250	5	71.7	495	634	50



型号 Type	安装尺寸 Installion Size					轴伸尺寸 Stalk Size					外型尺寸 Features Size				
	L	L1	D1	R	D2(h7)	d0	M	l	C	b	d(H7)	D	C1	W	
DKAF37	120	103	130	3.5	110	9	M10	24	33.3	8	30	160	10	60	
DKAF47	150	128	165	3.5	130	11	M12	25	38.3	10	35	200	12	75	
DKAF57	166	142	215	4	180	13.5	M16	23.5	43.3	12	40	250	15	83	
DKAF67	180	146	215	4	180	13.5	M16	23	43.3	12	40	250	15	90	
DKAF77	210	176	265	4	230	13.5	M16	40	53.8	14	50	300	16	105	
DKAF87	240	200	300	5	250	17.5	M20	30	64.4	18	60	350	18	120	
DKAF97	300	260	400	5	350	17.5	M24	41.5	74.9	20	70	450	22	150	
DKAF107	350	306	400	5	350	17.5	M24	41	95.4	25	90	450	22	175	
DKAF127	410	357	500	5	450	17.5	M24	51	106.4	28	100	550	25	205	
DKAF157	500	450	600	6	550	22	M24	60	127.4	32	120	660	28	250	

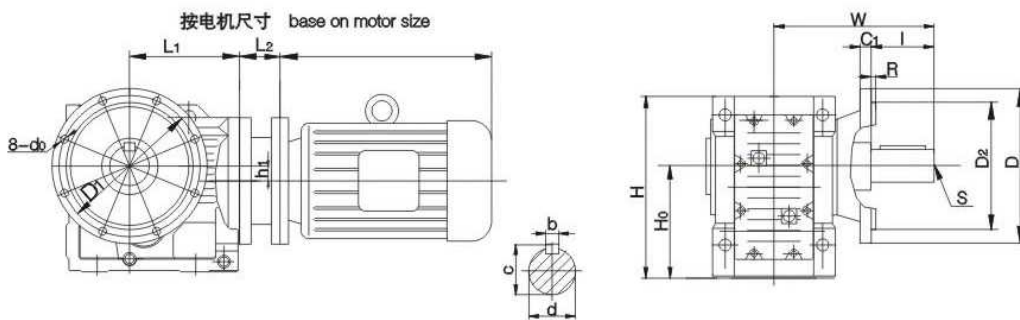


DK

型号 Type	安装尺寸 Installion Size					轴伸尺寸 Stalk Size						外型尺寸 Features Size				
	H <sub>0</sub>	S	R	D <sub>1</sub>	d <sub>0</sub>	D2(h7)	b	d(ke)	l	C	L <sub>1</sub>	W	D	h <sub>1</sub>	C <sub>1</sub>	H
DKF37	100	M8	3.5	130	9	110	8	25	50	28	139	133	160	8.5	10	164
DKF47	112	M10	3.5	165	11	130	10	35	60	38	169	160	200	7.2	12	186
DKF57	132	M12	4	215	13.5	180	10	35	70	38	173	176.5	250	13.1	15	215
DKF67	140	M12	4	215	13.5	180	12	40	80	43	179	192	250	20	15	228
DKF77	180	M16	4	265	13.5	230	14	50	100	53.5	202	245	300	31.3	16	288
DKF87	212	M20	5	300	17.5	250	18	60	120	64	257	270	350	25.9	18	340
DKF97	265	M24	5	400	17.5	350	20	70	140	74.5	276	331	450	32.3	22	417
DKF107	315	M24	5	400	17.5	350	25	90	170	95	341	386	450	52	22	503

注：其它尺寸请参见DKA型。

Notes:refer other dimensions to DKA series



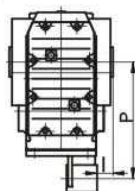
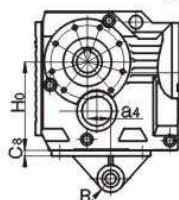
型号 Type	安装尺寸 Installion Size					轴伸尺寸 Stalk Size						外型尺寸 Features Size				
	H <sub>0</sub>	S	R	D <sub>1</sub>	d <sub>0</sub>	D2(h7)	b	d(ke)	l	C	L <sub>1</sub>	W	D	h <sub>1</sub>	C <sub>1</sub>	H
DKF127	375	M24	5	500	17.5	450	28	100	210	106	390	466	550	53	25	592
DKF157	450	M24	6	600	22	550	32	120	210	127	426	520	660	71.7	28	705

注：其它尺寸请参见DK型。

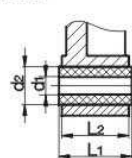
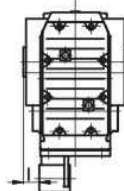
Notes:refer other dimensions to DK series



防转臂C面安装



防转臂D面安装



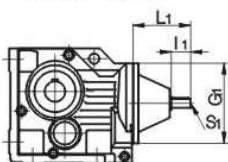
DK

型号 Type	安装尺寸 Installion Size				外型尺寸 Features Size					
	L2	Cs	R	P	l	H0	d1	L1	a4	d2
DKAT37	31	10	22.5	140	20	100	10.4	36	23.5	25
DKAT47	31	12	22.5	160	20	112	10.4	36	30	25
DKAT57	54	13	29	192	18	132	16.4	60	40	40
DKAT67	54	13	29	200	25	140	16.4	60	45	36
DKAT77	54	14	29	250	25	180	16.4	60	52.5	36
DKAT87	72	16	41	300	34.5	212	25	80	60	52
DKAT97	92	17	41	350	42	265	25	100	70	52
DKAT107	92	20	41	450	45	315	25	100	74	52
DKAT127	110	45	70	550	7	375	40	123	60	103
DKAT157	110	45	70	700	2	450	40	110	50	103

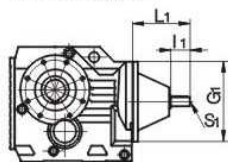
注：其它尺寸请参见DKA型。

Notes:refer other dimensions to DKA series

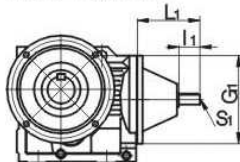
DKS型  
(DKS type)



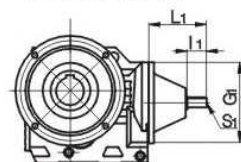
DKAS型  
(DKAS type)



DKFS型  
(DKFS type)



DKAFS型  
(DKAFS type)



型号 Type	d1(ka)	L1	l1	S1	C1	b1	G1
DK...S37	16	115	40	M4	18	5	120
DK...S47	19	120	40	M5	21.5	6	160
DK...S57	19	120	40	M6	21.5	6	160
DK...S67	19	120	40	M5	21.5	6	160
DK...S77	24	140	50	M6	27	8	200
DK...S87	28	180	60	M8	31	8	250
DK...S97	38	220	80	M12	41	10	300
DK...S107	42	270	110	M12	45	12	350
DK...S127	55	297	110	M20	59	16	450
DK...S157	70	374	140	M24	74.5	20	550

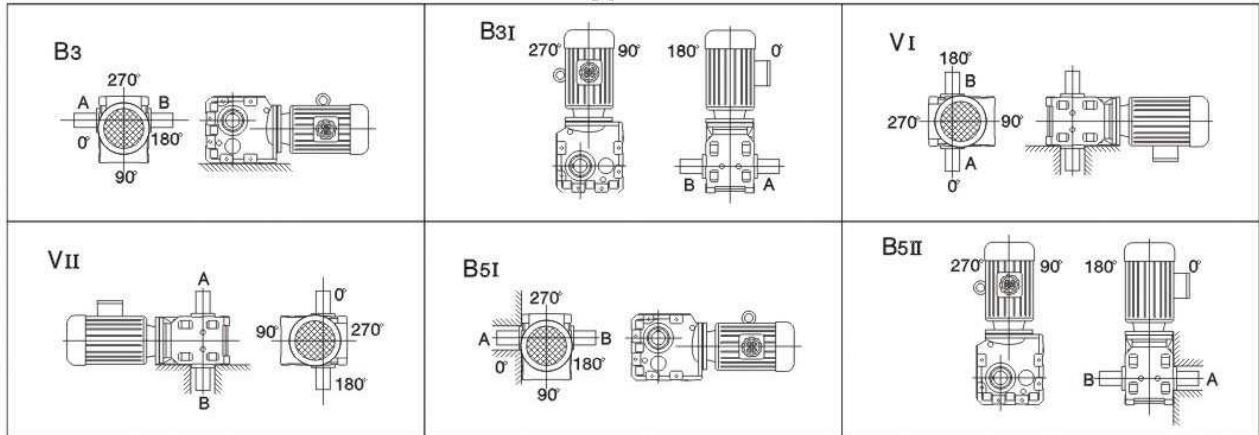
注：其它尺寸请参见DK型。

Notes:refer other dimensions to DK series





**DK167、DK187安装方位: DK167、DK187 Mounting position:**



DK

注: 安装方位A、B表示输出方向; 0°、90°、180°、270° 表示电机接线盒的位置。  
Notes :A and B is the output direction in mounting position 0°、90°、180° and 270° is the position of the motor terminal box.

**DK167、DK187尺寸图: DK167、DK187 dimension sheets :**

